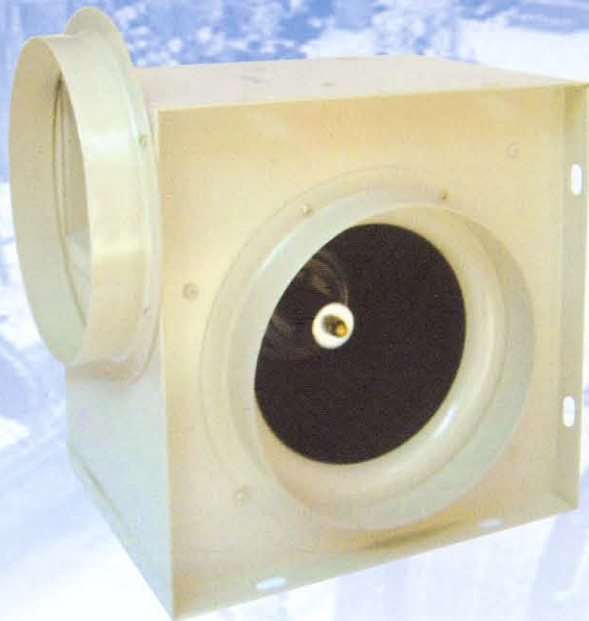


# TACME®

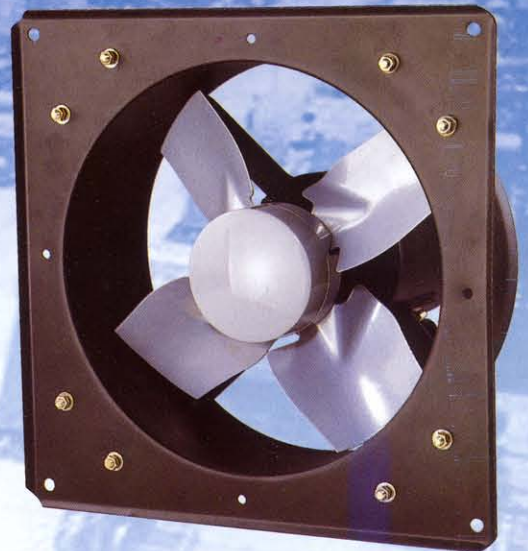
The Ideal Ventilation Fans™



**AIR CURTAIN**



**MINI SIROCCO FAN**



**HIGH PRESSURE FAN**

**VENTILATING & INDUSTRIAL FANS**



# High Pressure Fan

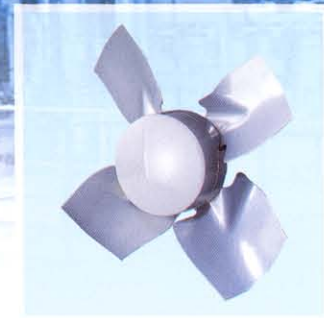
## APPLICATIONS

Suitable for many ventilation applications where extraction and supply of air is needed or application with large air volume requirement such as factory, workshop, machine room, agricultural extract & supply, greenhouse, etc.



### MOTOR

- synchronous induction type
- built-in thermal fuse protection
- IP 44 protection

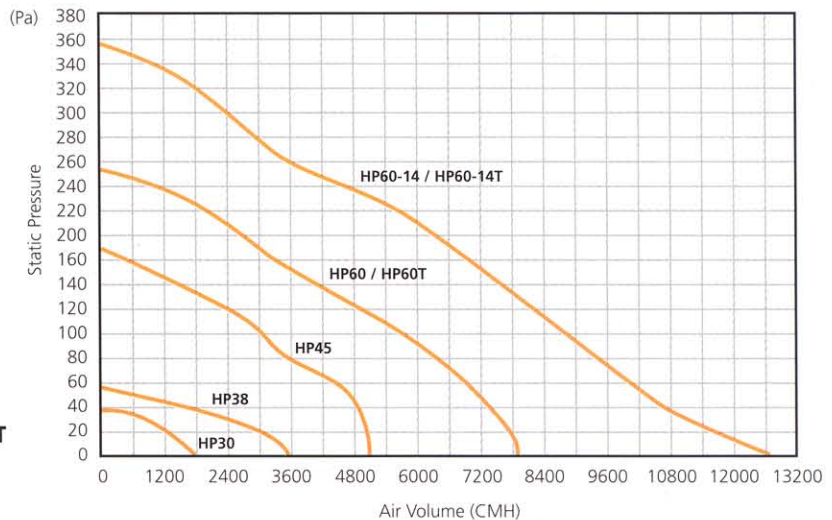


### IMPELLER

- hi grade rolled sheet steel with epoxy paint finish
- well balanced design

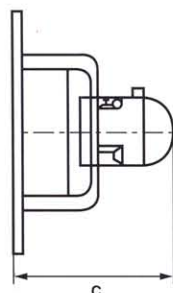
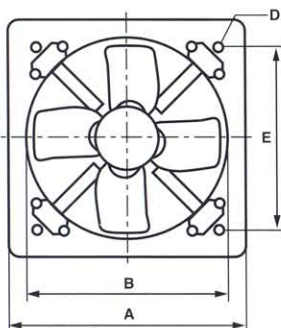


**HP30**  
**HP38**  
**HP45**  
**HP60**  
**HP60-14**  
**HP60T**  
**HP60-14T**

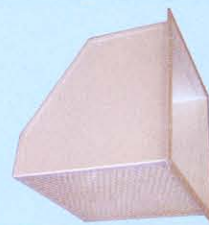


## Specifications

Model	Air Volume		Speed RPM.	Input (watt)	Power Supply V/Hz	Noise dB(A)	Weight (kg.)	Blade size (mm.)	Dimensions(mm.)				
	CFM	CMH							A	B	C	D	E
HP30	1165	4980	1400	100	220/1/50	65	7.6	300	377	302	308	4X09	344+1.0
HP38	2120	3600	1400	180	220/1/50	70	11.0	380	480	400	304	4X09	31+1.0
HP45	3000	5100	1400	260	220/1/50	74	14.5	450	569	485	390	4X10.5	514+1.0
HP60	4590	7800	900	295	220/1/50	77	26.3	600	746	605	425	4X013	685+1.0
HP60-14	7410	12600	1400	710	220/1/50	79	26.3	600	746	605	425	4X013	685+1.0
HP60T	4590	7800	900	280	380/3/50	77	26.3	600	746	605	425	4X013	685+1.0
HP60-14T	7410	12600	1400	750	380/3/50	79	26.3	600	746	605	425	4X013	685+1.0



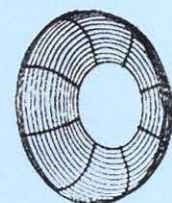
## Accessories



RAIN HOOD



SHUTTER



WIRE GUARD



# Mini Sirocco Fan



**Mini 14**  
**Mini 32**  
**Mini 52**  
**Mini 73**  
**Mini 100**



**MSF 120**

- The metal frame is electrophoresis finished and rustproof (not for MSP 120).
- The optimized combination of alloy fan wheel and high quality environmental protection motor ensures large air volume and high static pressure.
- Easy to dismantle and maintenance.



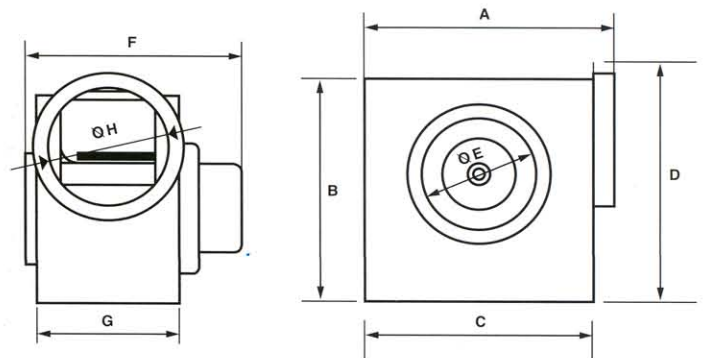
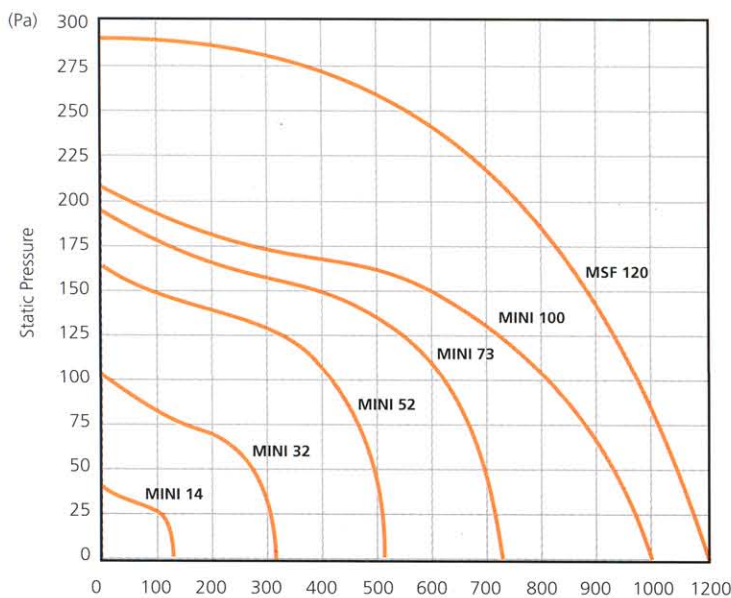
Ball Bearing Capacitor Motor



Metallic Fan Wheel

## Specifications

Model	Air Volume		Speed	Input	Power Supply	Noise	Weight	Dimensions (mm.)							
	CFM	CMH	RPM.	(watt)	V/PH/Hz	dB(A)	(kg.)	A	B	C	D	E	F	G	H
Mini-14	82	140	1300	24	220/1/50	32	2.92	204	170	170	191	97	190	120	97
Mini-32	188	320	1040	40	220/1/50	38	4.50	250	219	219	247	148	214	155	148
Mini-52	305	520	1150	65	220/1/50	44	5.51	274	243	243	269	148	239	167	148
Mini-73	430	730	850	80	220/1/50	46	10.00	328	292	292	343	198	311	215	198
Mini-100	588	1000	1050	190	220/1/50	52	10.00	328	292	292	343	198	311	215	198
MSF-120	705	1200	1250	330	220/1/50	60	13.00	380	330	330	380	200	365	270	200





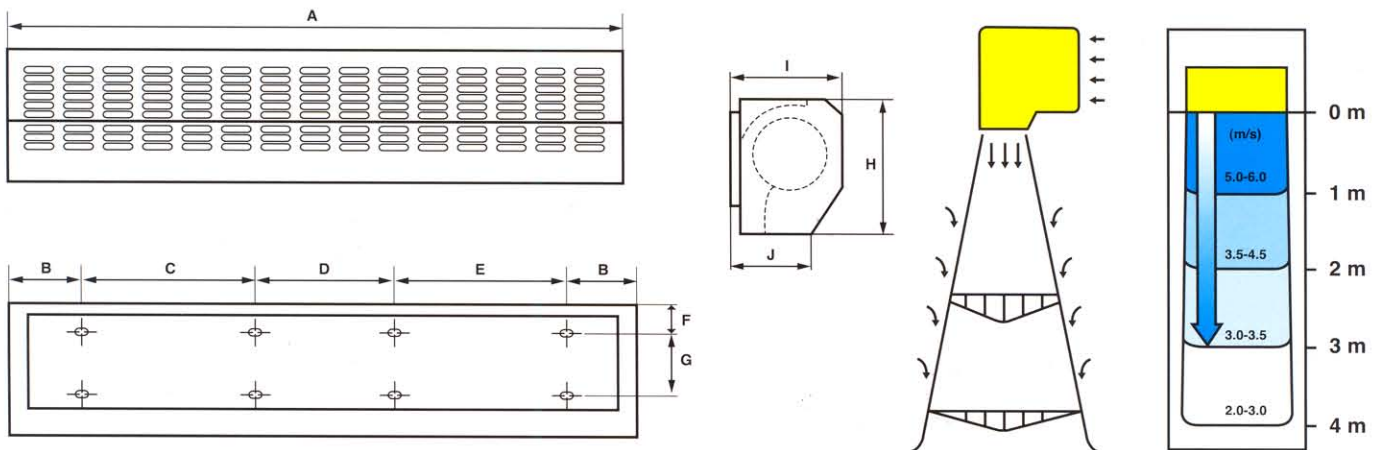
# Air curtain



- Ultra-compact slim design is convenient for installation and maintenance.
- The super silent wind wheel design ensures the powerful air flow and low noise.
- Full metal casing is fire-proof and resistant to distortion.
- First adoption of double ball bearing motor and solid lubrication oil ensure the lowest noise, long life, and maintenance free.

## Specifications

Model	Wheel Diameter (mm.)	Dimensions (mm.)	Power Supply V/PH/Hz	Input (Watt)	Air velocity (m/s)	Air Volume (CMH)	Noise (dB)	Net weight (kg)
AC09	125	900x215x180	200/1/50	130	11	1260	56	10.80
AC12	125	1200x215x180	200/1/50	180	11	1930	57	14.00



## Dimensions (mm.)

Model	A	B	C	D	E	F	G	H	I	J
AC09	900	30	290	560	-	50	100	215	180	105
AC12	1200	30	430	270	430	50	100	215	180	105